



## **Model: ECDFoEnet**

### **Device Server Ethernet to Fiber Optic Converter**

The **ECDFoEnet** safely and easily connects industrial serial communication device with fiber optic(multimode 820nm) to an Ethernet network using TCP/IP protocol family (TCP for transparent stream, and UDP for datagram applications) up to 4 km. Even the power supply port and network port are galvanically isolated, plus the quality Hewlett Packard components used are guaranteed to work with 62.5/125, 100/140, and 50/125  $\mu\text{m}$  fiber sizes. Industrial design, small size, DIN rail mount, user indication, and wide range DC supply make the **ECDFoEnet** a very engineer-friendly device for your industrial data communication system.

## Specification

### Network Interface

Standards	: TCP/IP, UDP/IP, DHCP, SNMP, SSL/TLS HTTP, SMTP, ICMP, IGMP and ARP
Interface	: 10/100Base-T Ethernet
Connector	: RJ45
User Indications	: Network Link and Activity indication

### Fiber Optic

Connector	: ST (bayonet) or SMA (threaded)
Fiber Size	: 62.5/125, 100/140, and 50/125 $\mu\text{m}$
Insertion Loss	: for ST, is a repeatable 0.2dB typically
Technology	: 820 nm wavelength, GaAIAs emitters
Power	: typically -12dBm into 62.5/125 $\mu\text{m}$ fiber
Data Rate	: Up to 230,400bps (configurable)
Characters	: Configurable (5,6,7,8 databits)
Parity	: Configurable (odd, even, none, mark, space)
Stop Bits	: Configurable ( 1,2 bits)
User Indications	: Txd and Rxd Indication

### Isolation

Supply to Ethernet	: complete galvanic isolation 2.5Kv
--------------------	-------------------------------------

### Power Supply

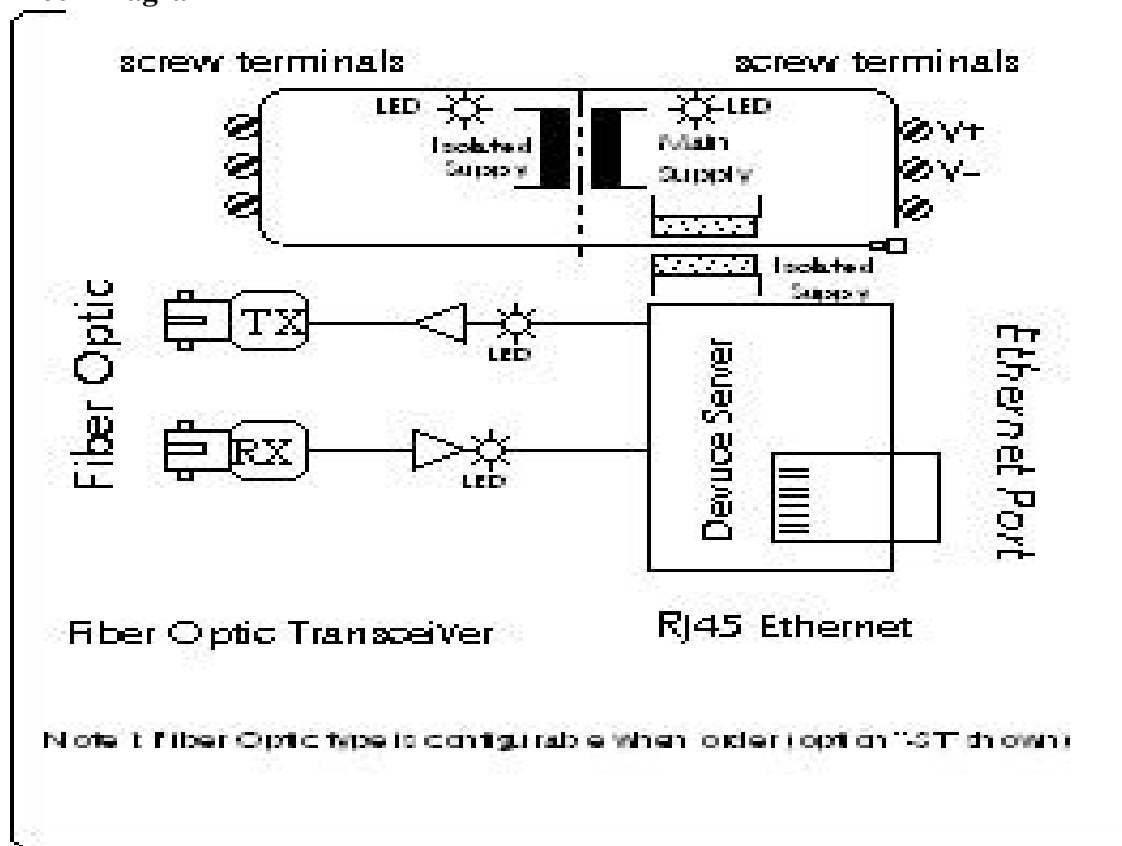
9 to 36Vdc	: 2.5w normal operation
5Vdc +/-5%	: 400mA normal operation
User Indications	: Green LEDs for power indication
	: Yellow LEDs for data Tx/Rx at the fiber end.



**Mechanical / Environment**

- Operating Range : 0C to +60C
- Storage Range : -40c to +100C
- Relative Humidity : 10 to 90% RH, non-condensing
- Case Material : nylon polymide, fungus and termite resistant self-extinguishing
- Weight : approx 130g
- Mounting Rail : DIN EN 50 022 or DIN EN 50 035

**Block Diagram**

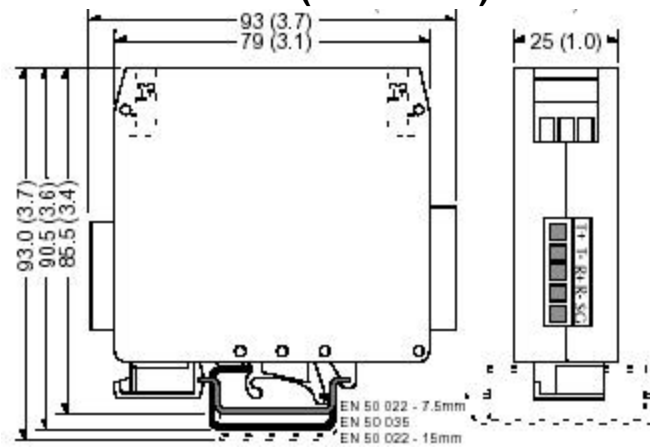




**Order Information**

<b>ECD485Enet</b>			<b>Isolated Device Server ECD485Enet</b>
	<b>-5v</b>		5v +/-5% Regulated DC Power
	<b>-dv</b>		9v to 36v Unregulated DC Power
		<b>-1p</b>	Non-isolated, Ethernet Gnd = Power Gnd
		<b>-2p</b>	Fully isolated (Ethernet and Power)
		<b>-st</b>	ST bayonet connector (® of AT&T)
		<b>-sma</b>	SMA threaded connector

**Dimensions in mm (and inches)**



**Specifications subject to change without notice.**