



Model: ECD232Enet

Isolated Device Server ECD232Enet

The **ECD232Enet** safely and easily connects industrial device with serial interface (RS-232) to an Ethernet network using TCP/IP protocol family (TCP for transparent stream, and UDP for datagram applications) providing the ultimate in isolation, surge, and noise protection. Even the RS-232 port and network port are galvanically isolated from the DC supply ground.

Isolation, industrial design, small size, DIN rail mount, user indication, and wide range DC supply make the **ECD232Enet** a very engineer-friendly device for your industrial data communication system.

Specification

Network Interface

Standards	: TCP/IP, UDP/IP, DHCP, SNMP, SSL/TLS HTTP, SMTP, ICMP, IGMP and ARP
Interface	: 10/100Base-T Ethernet
Connector	: RJ45
User Indications	: Network Link and Activity indication

Serial Interface

Interface	: EIA/RS-232E
Connector	: DB9 Male DTE
Data Rate	: Up to 230,400bps (configurable)
Characters	: Configurable (5,6,7,8 bits)
Parity	: Configurable (odd, even, none, mark, space)
Stop Bits	: Configurable (1,2 bits)
User Indications	: Txd and Rxd Indication

Isolation

RS-232 to Ethernet	: complete galvanic isolation 2.5Kv
Supply to Ethernet	: complete galvanic isolation 2.5Kv
Supply to RS-232	: complete galvanic isolation 2.5Kv

Power Supply

9 to 36Vdc	: 2.5w normal operation
5Vdc +/-5%	: 400mA normal operation
User Indications	: Green LEDs for power indication

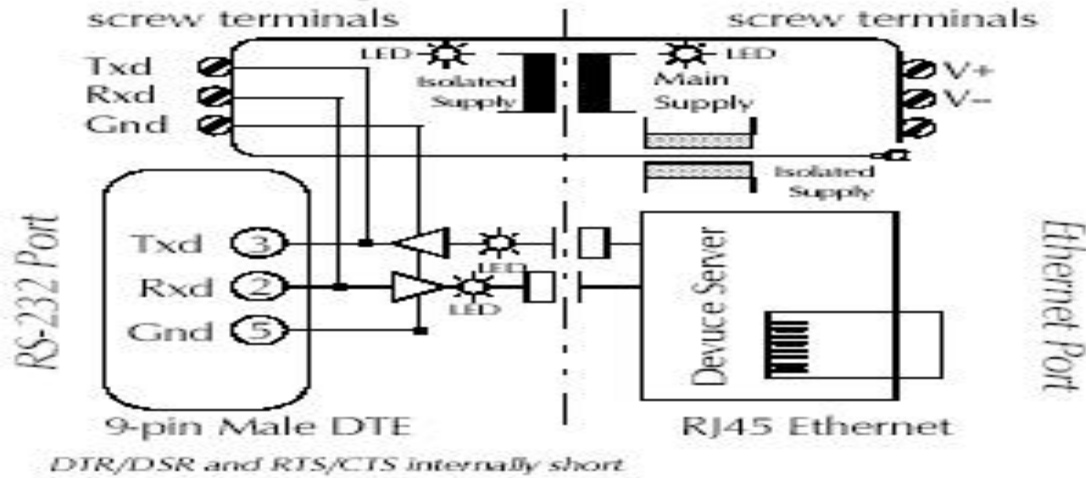
Mechanical / Environment

Operating Range	: 0C to +60C
-----------------	--------------



Storage Range : -40c to +100C
 Relative Humidity : 10 to 90% RH, non-condensing
 D-shell Connector : 9-pin, 30μ gold pins/sockets rated 500 cycles
 Case Material : nylon polymide, fungus and termite resistant self-extinguishing
 Weight : approx 130g
 Mounting Rail : DIN EN 50 022 or DIN EN 50 035

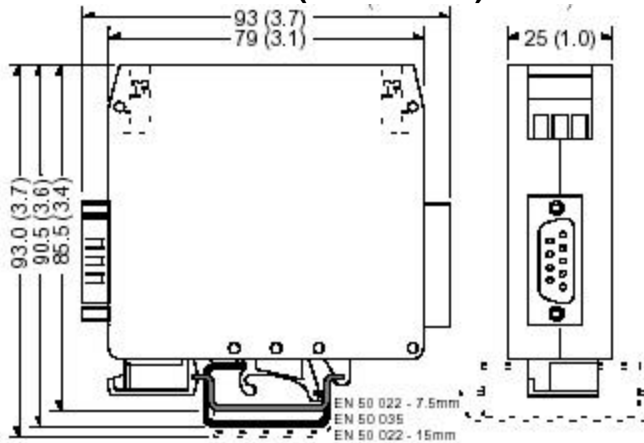
Block Diagram



Order Information

ECD232Enet			Isolated Device Server ECD232Enet
	-5v		5v +/-5% Regulated DC Power
	-dv		9 to 36v Unregulated DC Power
		-2p	Non-isolated, Ethernet Gnd = Power Gnd
		-3p	Fully isolated (Ethernet, RS-232 and Power)

Dimensions in mm (and inches)



Specifications subject to change without notice.