



Model: ECDFoEnet

Device Server Ethernet to Fiber Optic Converter

The **ECDFoEnet** safely and easily connects industrial serial communication device with fiber optic(multimode 820nm) to an Ethernet network using TCP/IP protocol family (TCP for transparent stream, and UDP for datagram applications) up to 4 km. Even the power supply port and network port are galvanically isolated, plus the quality Hewlett Packard components used are guaranteed to work with 62.5/125, 100/140, and 50/125 μm fiber sizes. Industrial design, small size, DIN rail mount, user indication, and wide range DC supply make the **ECDFoEnet** a very engineer-friendly device for your industrial data communication system.

Specification

Network Interface

Standards	: TCP/IP, UDP/IP, DHCP, SNMP, SSL/TLS HTTP, SMTP, ICMP, IGMP and ARP
Interface	: 10/100Base-T Ethernet
Connector	: RJ45
User Indications	: Network Link and Activity indication

Fiber Optic

Connector	: ST (bayonet) or SMA (threaded)
Fiber Size	: 62.5/125, 100/140, and 50/125 μm
Insertion Loss	: for ST, is a repeatable 0.2dB typically
Technology	: 820 nm wavelength, GaAIAs emitters
Power	: typically -12dBm into 62.5/125 μm fiber
Data Rate	: Up to 230,400bps (configurable)
Characters	: Configurable (5,6,7,8 databits)
Parity	: Configurable (odd, even, none, mark, space)
Stop Bits	: Configurable (1,2 bits)
User Indications	: Txd and Rxd Indication

Isolation

Supply to Ethernet	: complete galvanic isolation 2.5Kv
--------------------	-------------------------------------

Power Supply

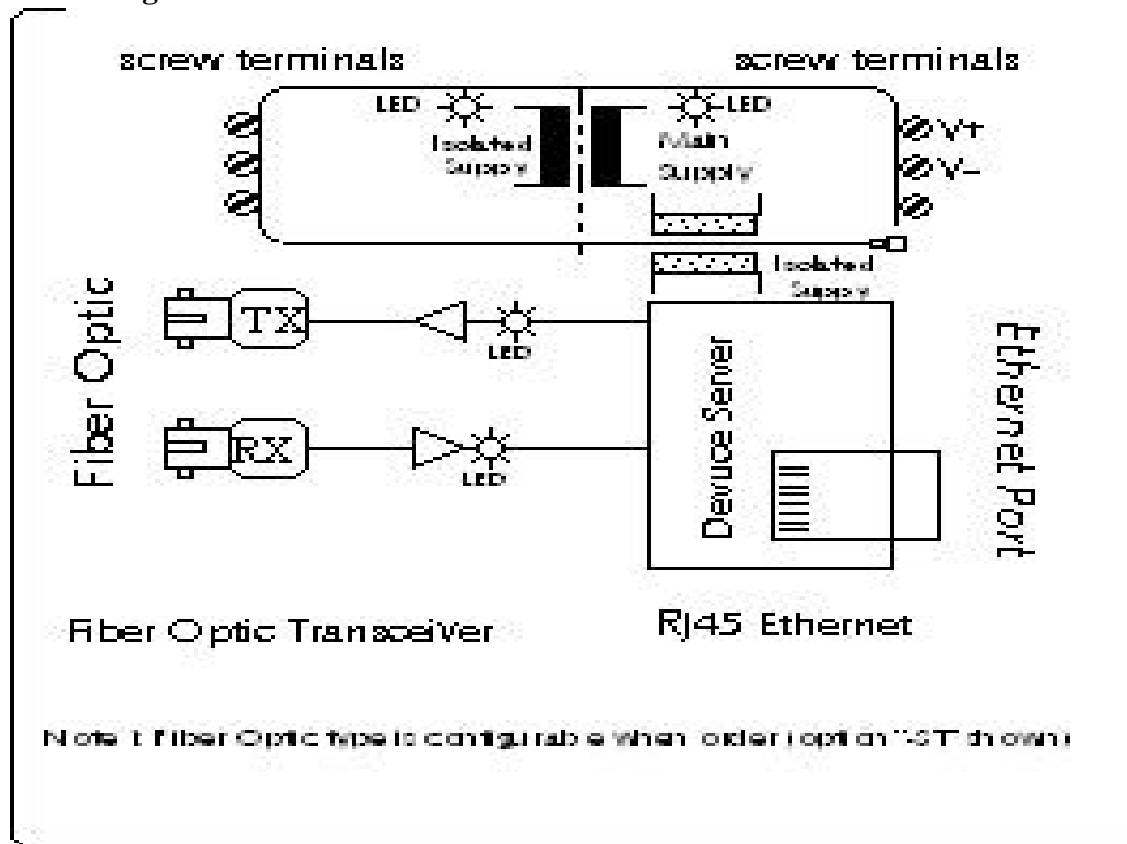
9 to 36Vdc	: 2.5w normal operation
5Vdc +/-5%	: 400mA normal operation
User Indications	: Green LEDs for power indication
	: Yellow LEDs for data Tx/Rx at the fiber end.



Mechanical / Environment

- Operating Range : 0C to +60C
- Storage Range : -40c to +100C
- Relative Humidity : 10 to 90% RH, non-condensing
- Case Material : nylon polymide, fungus and termite resistant self-extinguishing
- Weight : approx 130g
- Mounting Rail : DIN EN 50 022 or DIN EN 50 035

Block Diagram

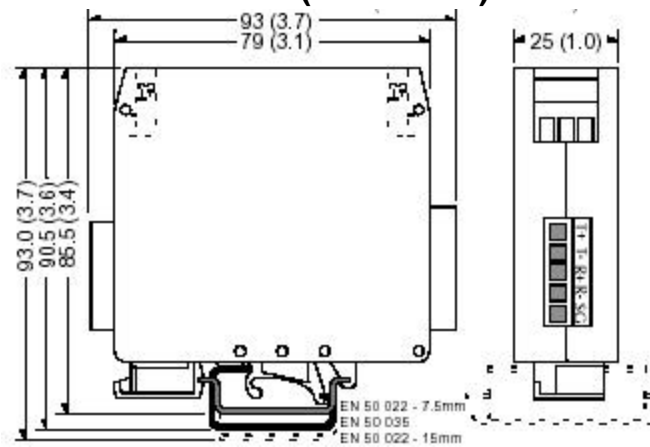




Order Information

ECD485Enet			Isolated Device Server ECD485Enet
	-5v		5v +/-5% Regulated DC Power
	-dv		9v to 36v Unregulated DC Power
		-1p	Non-isolated, Ethernet Gnd = Power Gnd
		-2p	Fully isolated (Ethernet and Power)
		-st	ST bayonet connector (® of AT&T)
		-sma	SMA threaded connector

Dimensions in mm (and inches)



Specifications subject to change without notice.