



Model: ECDLPU

Effective Lightning Protection for Isolated RS-232/422/485 Data Communication

The ECDLPU is especially designed for use with EC Data isolated products. One ECDLPU fully protects 2-wire RS-485 or 3-wire RS-232 circuits. Built-in self-resetting current limiters both eliminate the need for external fuses and protects from common continuous over-voltage faults.

Key features include:

- Up to 20kA impulse discharge (8/20µs wave)
- Self-resetting current limited to 250mA
- Simplifies ground wire installation

Specification

Surge Management

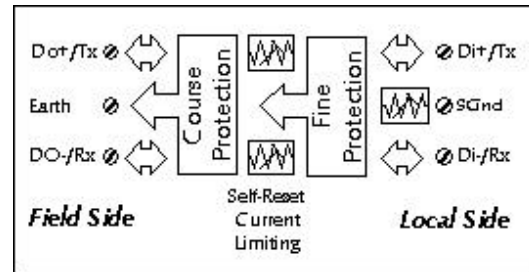
Nominal Voltage:	+/- 15 Vdc (suitable for RS-232/422/485)
Nominal Current:	250mA (normal maximum for RS-485)
Series Resistance:	6.5 ohm (at 25 °C with minimum current)
Impulse Discharge:	20kA (wave form 8/20µs per IEC 801.5)
Course Protection:	Ceramic Gas Discharge Tube
Fine Protection:	High-Speed Transient Suppressor Diode
Current Limiting:	Positive Temperature Coefficient Thermistor
Capacitive Effect:	adds approx 4000 pF per wire
Supported Speeds:	300 to 115kbps

ECDLPU-DS

Mechanical / Environment

Operating Range:	-40C to +65C
Storage Range:	-40C to +100C
Relative Humidity:	10 to 90% RH, (non-condensing)
Terminals:	wire up to 2.5mm (12 AWG)
Case Material:	fungus and termite resistant, self-extinguishing
Weight:	approx 130g
Mounting Rail:	DIN EN 50 022 or DIN EN 50 035

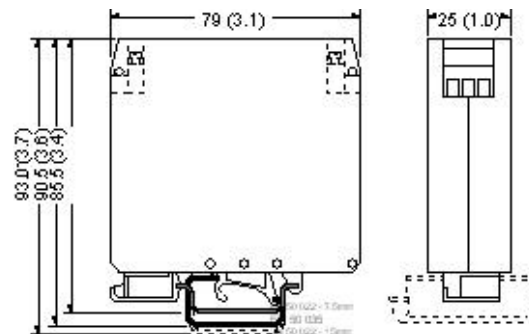
Block Diagram



Order Information

ECDLPU (No other option)

Dimensions in mm (in inches)



Specifications subject to change without notice